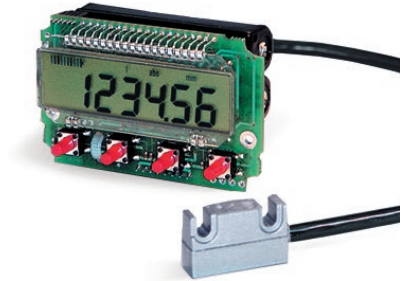


- Quasi-absolute LCD display
- Max. display accuracy 0,01 mm or 1/64 inch
- Actual value memory
- Linear and Angular display mode
- Compact OEM version without housing
- Reading distance sensor/tape up to 1 mm



LD111

PARAMETERS

3 offset values, Preset value, Linear & angular display mode, mm/inch display, Relative/absolute measurement

ENVIRONMENTAL SPECIFICATIONS

Operating temperature range:	0°C to +50°C (+32°F to +122°F)
Storage temperature range:	-20°C to +80°C (-4°F to +176°F)
Protection:	IP00 (or depending on customers assembly)

MECHANICAL SPECIFICATIONS

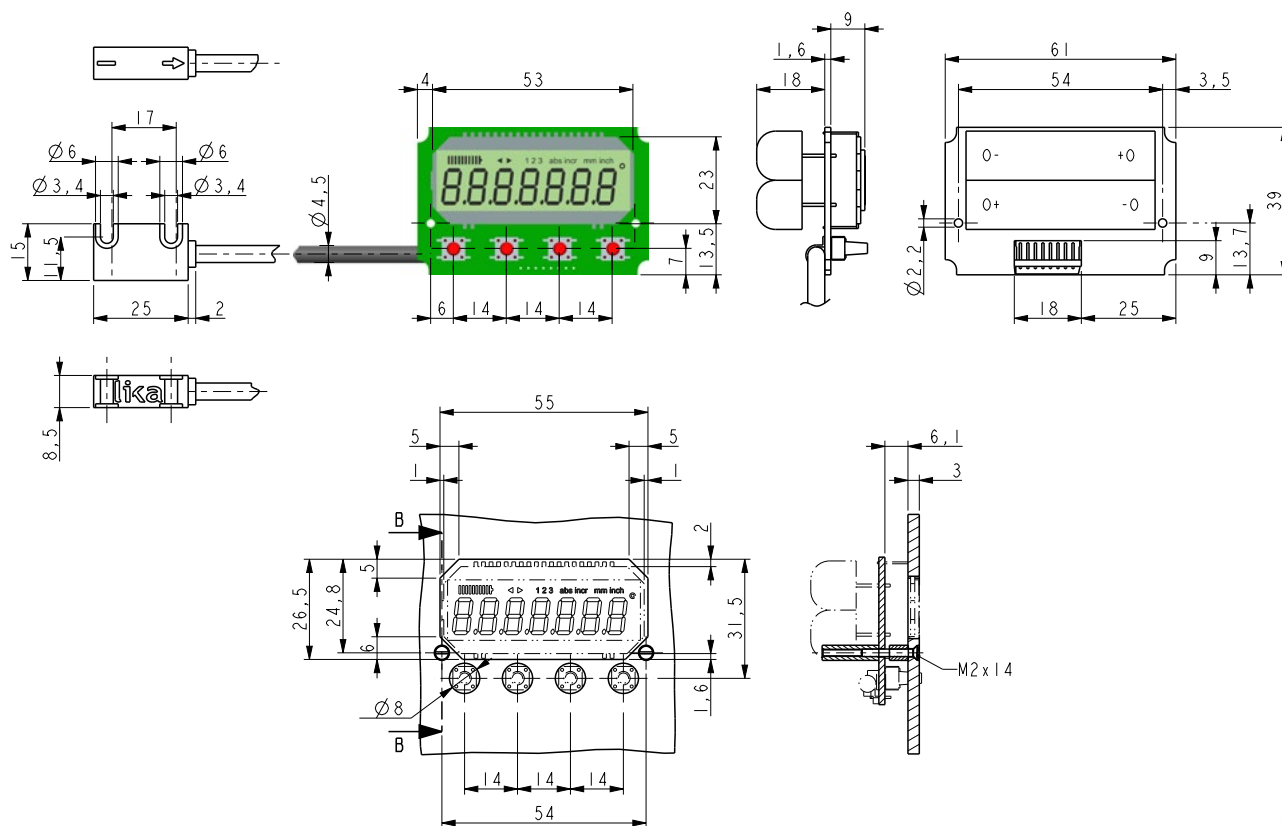
Display resolution:	max. 0,01 mm or 1/64 inch
System accuracy:	± 0,05 mm typ.
Repeat accuracy:	± 1 digit
Display range:	-999999 to 999999
Measurement speed:	max. 5 m/s
Magnetic sensor:	SM25
Reading distance sensor/tape:	0,1 - 1,0 mm
Dimensions:	see drawing
Connections:	Battery holder (AAA type) Cable (sensor)

ELECTRICAL SPECIFICATIONS

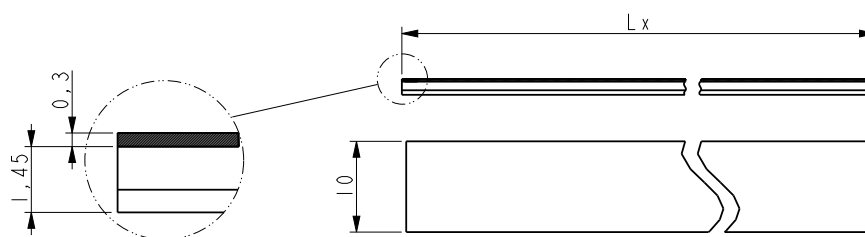
Power supply:	Integrated batteries (2 x 1,5 V)
Consumption:	~ 220 µA

ACCESSORIES

MT25:	Magnetic tape
-------	---------------



LD111



MT25

Order code - Display

LD111	-	XX	X	XX
		(a)	(b)	(c)

Order code - Tape

MT25	-	XX	-	XXX	-	X
		(a)		(b)		(c)

(a) INPUT M7 = magnetic sensor	(b) SENSOR R = rectangular	(c) CABLE LENGTH 0,2 = cable 0,2 meter 1 = cable 1 meter X = cable X meters (5 meters max.)
--	--------------------------------------	--

(a) LENGTH 1 = 1,0 m 2 = 2,0 m 4 = 4,0 m 10 = 10,0 m 20 = 20,0 m 30 = 30,0 m	(b) ACCURACY CLASS 100 = ± 85 µm/m 50 = ± 35 µm/m (up to 30 m)	(c) COVER STRIP 1 = included
---	---	--